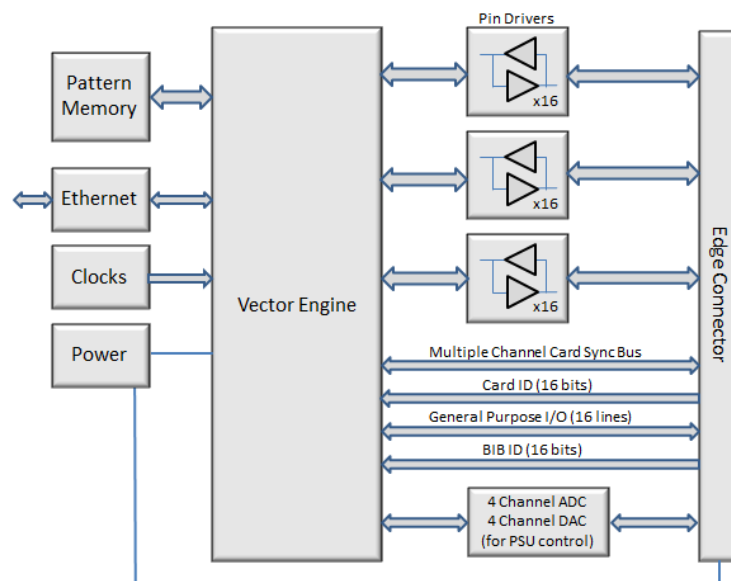


FlexBID-D48: 48 channel digital module

FlexBID is a configurable burn-in driver system for semiconductor applications. It consists of a range of LAN-controlled modules that can mount directly on the backplane of a burn-in oven. Both analog and digital modules are available.



The FlexBID-D48 module provides the following features, and up to 256 of these can be controlled from a single PC giving up to 4096 digital channels to a burn-in system.

- 48 channels of dynamic digital I/O
 - Auto-compare to expected data; call subroutine (nestable x32); repeat 1-32k times (nestable x32); jumps.
 - Sign Of Life (SOL)
- Up to 512Mbits per channel
- Up to 10MHz vector speed; 20MHz clock.
- Pin drivers: 0-10v; 100mA sink/source; 1A maximum; programmable in groups of sixteen.
- 4 channel DAC 0-10v; 4 channel ADC -12 to +12v. Can be used for bulk power supply control.
- 24 bits of general purpose I/O for control of custom circuits (e.g. muxes and switches.)
- 16 bits available for BIB ID.



The module can be configured and controlled using a point and click GUI, or through any windows programming language using the API.