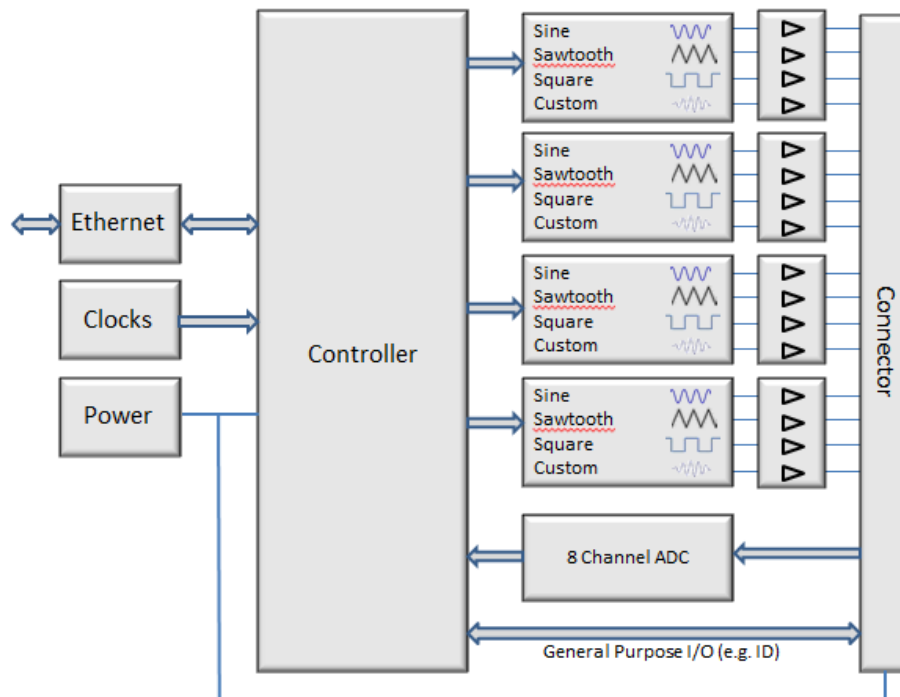


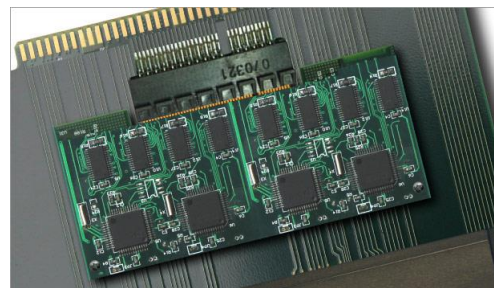
## FlexBID-A16: 16 channel analog module

FlexBID is a configurable burn-in driver system for semiconductor applications. It consists of a range of LAN-controlled modules that can mount directly on the backplane of a burn-in oven. Both analog and digital modules are available.



The FlexBID-A16 module provides the following features, and up to 256 of these can be controlled from a single PC.

- 16 channels of analog output
- 4 groups of 4 channels
- 100Hz to 20MHz
- Amplitude  $\pm 10V_{pp}$  (in 10mV steps). A  $\pm 18V_{pp}$  option is available.
- DC offset programmable  $\pm 10V$  (half the amplitude of the programmed signal)
- Drive Current 40 mA continuous per channel.
- Programmable sine, square or sawtooth waveform.
- Custom generated waveform
- 32 channels of analog measurement for voltage and current monitoring applications.



The module can be configured using a point and click GUI, and the GUI can record macros in VBScript for easy inclusion into your test programs.